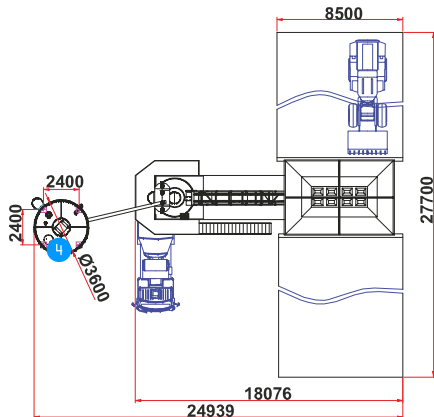
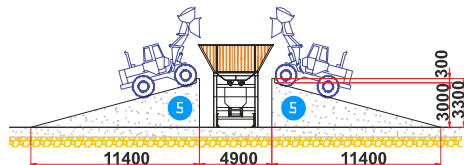
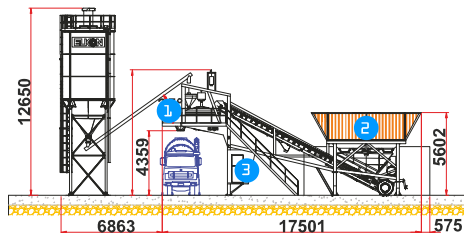


MOBILE MASTER-60 PEGASUS

General Layout of
MOBILE MASTER-60 PEGASUS
with **Double Aggregate**
Feeding Ramps

General Layout of
MOBILE MASTER-60 PEGASUS
with Aggregate Prefeeding
System



General Layout of
MOBILE MASTER-60 PEGASUS
with **Double Aggregate**
Feeding Ramps

- 1 1500 / 1000 l. ELKON Pan Mixer
- 2 4x13,5 m³ Aggregate Silo
- 3 Operator Cabinet
- 4 Cement Silo (1 x 75 Ton)
- 5 Ramps